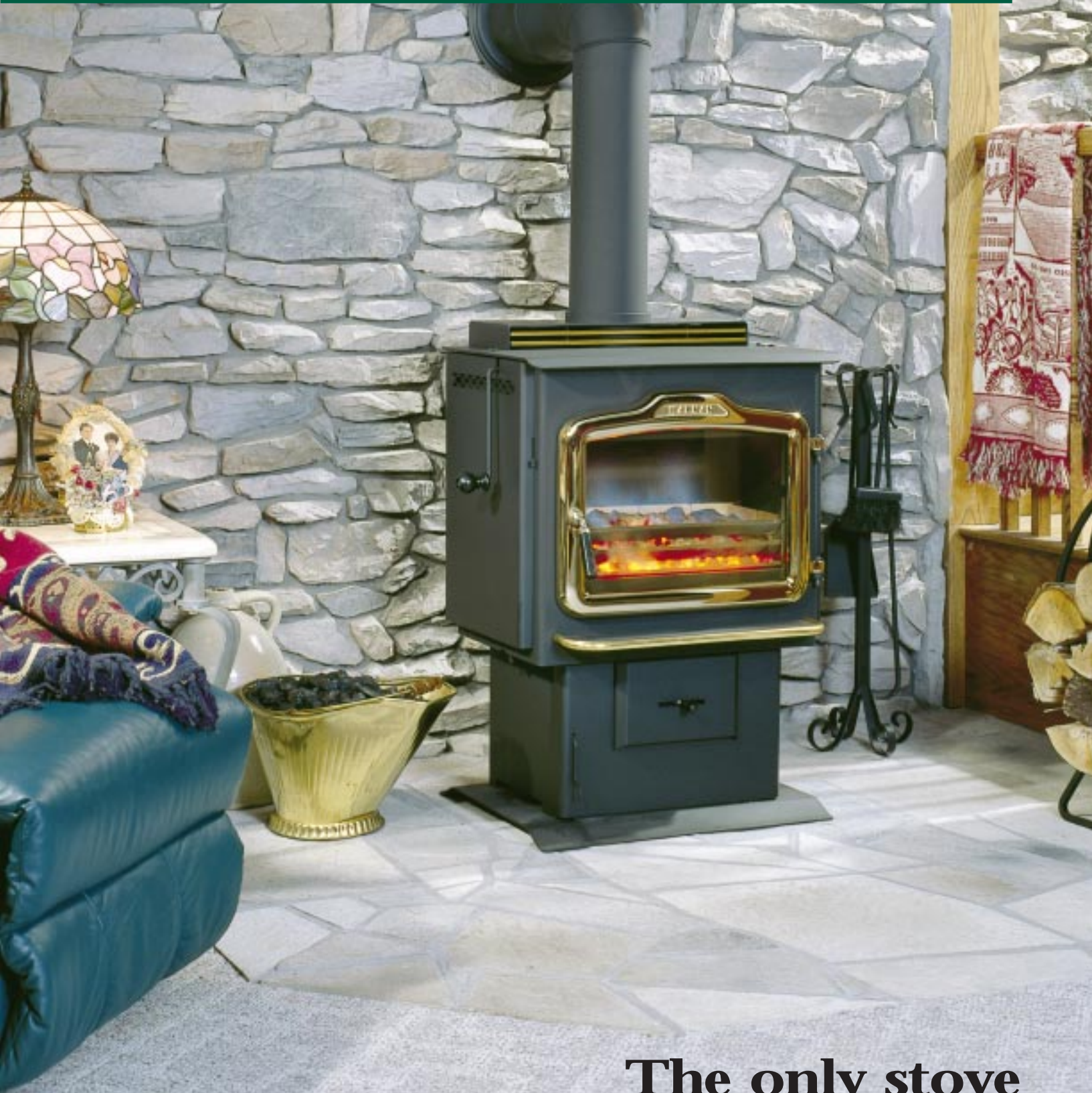




The Harman TLC 2000 Coal Stove



**The only stove
you'll ever need.**

Harman's TLC

A top-load coal stove and indoor grill...a



Top-loading to make adding fuel easy

“Harman’s most versatile stove ever, the TLC 2000 can burn three different sizes of coal, convert to a wood fireplace, and serve as a convenient cooking grill. And, because it requires no electricity*, the TLC 2000 is guaranteed to keep you warm and comfortable in case of a blackout. The TLC 2000 is a worry-free stove designed to take you into the next millennium and beyond.”

—Dane Harman

A coal stove which can be converted to a fireplace stove and burn wood, plus serve as a cooking grill, Harman’s TLC 2000 is a convenient, dependable, and attractive new member of the Harman family of stoves. In addition, the TLC 2000 requires no electricity, guaranteeing its performance through a power loss. And with the industry’s largest glass door for easy viewing, an air wash glass-cleaning system, and an optional air grill, the TLC 2000 is the only stove you’ll ever need.

A Top-Loading Coal Stove

Top-loading to make it as easy as possible for you to add coal to your fire, the TLC 2000 is the ultimate in convenience. The TLC’s extra-large ash door also makes it simple to remove ashes and an oversize ash pan allows longer intervals between ash removals. Coal can burn up to 60 hours with the TLC, and the Harman Grate System enables the TLC to provide its users with optimal airflow and outstanding burn characteristics.

A Wood-Burning Fireplace

Nothing beats the ambiance and warmth of a real log fire, and the TLC 2000 can be easily converted to a wood-burning fireplace. Simply open the TLC’s glass door, put its optional fireplace screen in place, and you’re ready to enjoy the soothing crackle of burning wood.

A Convenient Cooking Grill

For a perfectly grilled meal any time of year, take advantage of the TLC 2000’s easy-to-use cooking grill. Cook on coal for the taste of a charcoal grill, or add a bit of your favorite wood for extra flavor. The culinary delights which await you are endless.

Easily converts to a fireplace by adding cozy fireplace screen



Turn your stove into a grill by adding our optional grill insert



*Electricity required to operate optional blower.

2000

Stove, fireplace, all in one!

Optional blower

Top-loading

Burns up to 60 hours

Harman Grate System

Optional cooking grill

Top lift handle

Extra-large glass door

Air wash glass-cleaning system

Optional gold door & ash lip



Optional air grill

Optional fireplace screen

Air adjuster



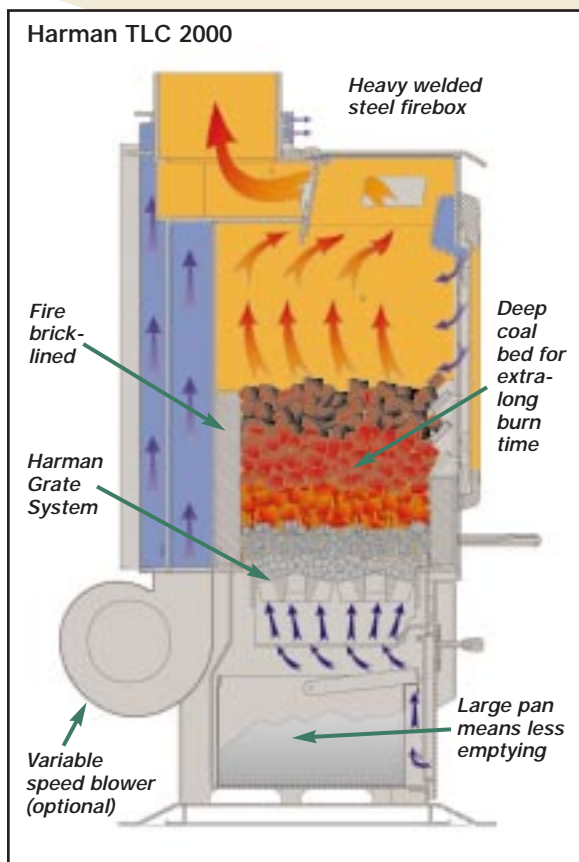
Oversize ash door & pan

**HARMAN
GOLD
WARRANTY**

The Only Stove You'll Ever Need.

A worry-free stove with an exciting array of uses and benefits, Harman's TLC 2000 is truly a stove for the next millennium. Whether you want to heat your home with coal, enjoy the warmth of a peaceful log fire, or create a delicious char-grilled meal, the unbelievably versatile TLC 2000 is the only stove you'll ever need.

The TLC 2000 is backed by Harman's **Gold Warranty** which means mechanical and electrical failures are covered for three years including parts and labor. Material and workmanship are covered for six years.



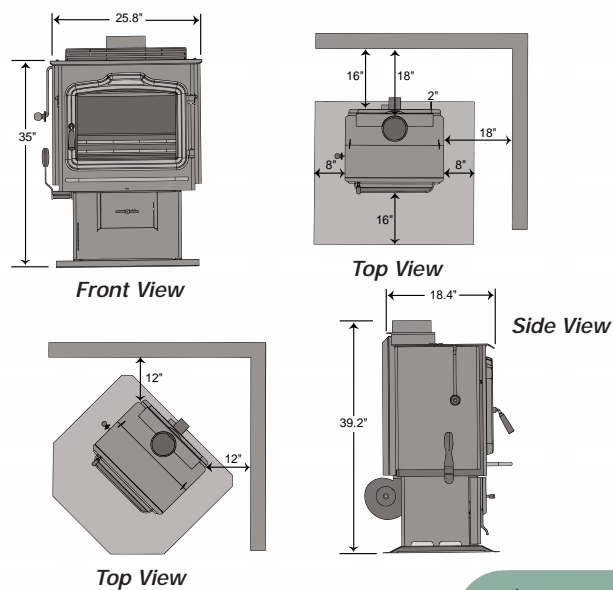
Specifications

BTU Range	72,000
Sq. Ft. Heat Capacity	1900
Fuel	Coal (pea, nut & stove-sized) Wood (16"-18" logs)
Blower Size	135 cfm
Flue Size	6"
Weight	375 lbs.
Height	35"
Width	25.8"
Depth	18.4"

Clearance to Combustibles

Rear	16"
Side	18"
Front	16"
Pipe to Wall	18"

Clearances and Dimensions



Tested by Intertek Testing Services/Warnock Hersey
Tested to UL 1482, UL 737, ULC-S627 Canada



MADE IN U.S.A.



352 Mountain House Road
Halifax, PA 17032
(717) 362-9080
Fax: (717) 362-4251
www.harmanstoves.com

Your Harman Dealer Is:

Discover The Difference