



*Pioneer
Pellet Stove
& Pioneer Bay
Fireplace
Insert*



Ask your dealer
to show you the
new Modulating
Remote Control
option.



PIONEER PELLET STOVE

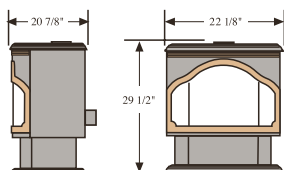
Comes standard with black painted door and convection grill



The Pioneer pellet stove is possibly the most beautiful LOPI stove every made. With its high efficiency and high heat output the LOPI's Pioneer pellet stove truly brings the art of fire to life. It's compact size and elegant form fits any room in your home. The Pioneer's powerful two-stage heat transfer system and 8 convection air tubes will heat up to 1,600 square feet with quiet efficiency and exceptional comfort.

The Pioneer's durable steel construction, beautifully detailed top and pedestal castings and aluminum brick fireback are enhanced by the optional 24 karat gold or pewter plated accents and a full bay view window. A state-of-the-art ignition system allows you to manually start the Pioneer at the touch of a button. What's more, a single control regulates the feed rate. You can automate stove operations by adding an optional wall thermostat, remote control thermostat or modulating remote control; just set it to the desired temperature, then relax and let your stove go to work.

The entire top of the Pioneer opens for easy access to an enormous 55 pound hopper. That's enough pellet fuel for up to 50 hours of uninterrupted heating! And thanks to the Pioneer's huge pedestal ashpan, you'll spend less time cleaning and more time enjoying the warmth your stove provides.



Overall Efficiency	Heating Capacity	Hopper Capacity	Maximum Burn Time	BTU Range*	Flue Size
82%	800 to 1,600 Square Feet	55 Pounds	15-50 Hours	Low- 8,100 High - 28,000	3" Pellet Vent

HEATING CAPACITY: May vary depending on the degree of home insulation, floor plan and the ambient temperature zone of the area in which you live. Contact your local building or fire officials about installation requirements in your area.

* BURN TIME and BTU range will vary with brand and size of pellets.



PIONEER BAY PELLET INSERT

Comes standard with black painted door and convection grill



LOPI's Pioneer Bay pellet insert is the ideal way to turn your inefficient open fireplace into a beautifully efficient home heating source. Compact and easy to install, the Pioneer Bay is a perfect fit in almost any masonry or metal fireplace. A three-sided fire viewing window and optional 24 karat gold plated or pewter, arched door make the Pioneer Bay a sensational addition to any fireplace setting.

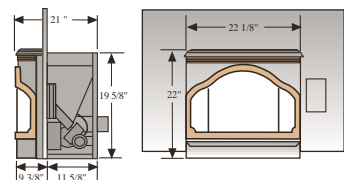
The Pioneer Bay's attractive brick pattern fireback highlights the splendor of the fire while maximizing heat transfer to the room. A remarkably quiet, yet powerful blower helps distribute heat evenly throughout your home. The easy-access hopper holds enough fuel for up to 30 hours of continuous warmth; just fill it up, set the feed rate, then push a single button to activate the auto ignitor. Advanced electronic circuitry allows you to operate the Pioneer Bay in either manual or automatic mode, and a wall thermostat or remote control thermostat can be added for the ultimate in hands-free convenience.

The Pioneer Bay's easy-access ashpan and ash dump makes clean up simple, and the door swings open when needed for occasional firebox access. It's no wonder more people look to LOPI for the ultimate in beauty, style, and trouble-free home heating.

Overall Efficiency	Heating Capacity	Hopper Capacity	Maximum Burn Time*	BTU Range*	Flue Size
82%	800 to 1,600 Square Feet	35 Pounds	10-30 Hours	Low- 8,100 High - 28,000	3" Pellet Vent

HEATING CAPACITY: May vary depending on the degree of home insulation, floor plan and the ambient temperature zone of the area in which you live. Contact your local building or fire officials about installation requirements in your area.

* BURN TIME and BTU range will vary with brand and size of pellets.



PIONEER PELLET STOVE & PIONEER BAY INSERT

Large Capacity Hopper

Fueling your pellet stove or insert has never been easier. The entire top of the stove or insert lifts up to allow access to the hopper. When full, your Pioneer pellet stove will provide you with up to 50 hours (30 hours for insert) of uninterrupted heating. The large capacity of the freestanding stove also means you don't have to wait until the hopper is empty before refueling with a full bag of pellets. (The pellet insert has a 35 lb. hopper).



Automatic Operation

Operate your pellet stove automatically. Add a wall thermostat or remote control thermostat for the ultimate in hands-free operation. You simply set the thermostat to the desired temperature and the Pioneer will do the rest.



If you choose to operate your pellet stove manually, simply set the feed rate, push the start button to activate the unique auto ignitor. Within minutes your Pioneer pellet stove or insert is in full operation.

Easy Access

The Pioneer pellet stove and insert are designed for easy maintenance. The swing-out door allows quick access to the firebox for cleaning and occasional maintenance.

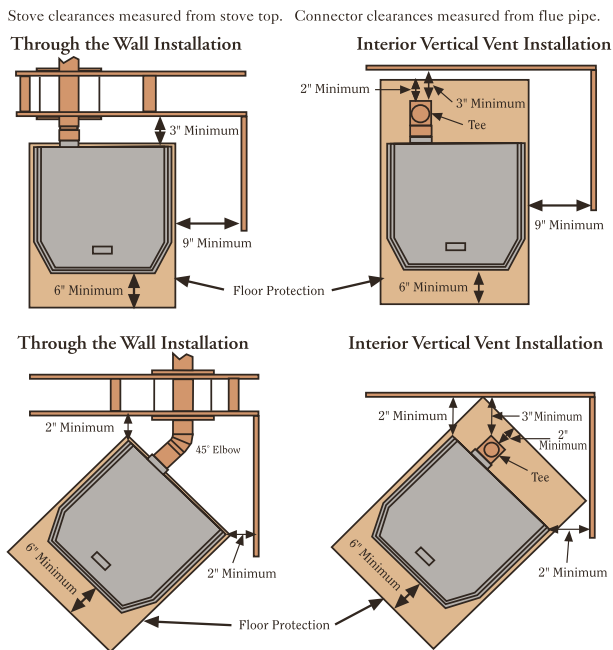


Huge Ash Pan

Designed as part of the pedestal on the stove, the huge Pioneer ash pan makes for significantly greater time between ash removal. A simple pullout handle above the ash pan allows accumulated ashes to be removed from the firebox without opening the door. The Insert is equipped with an easy pull out ash pan located beneath the door.



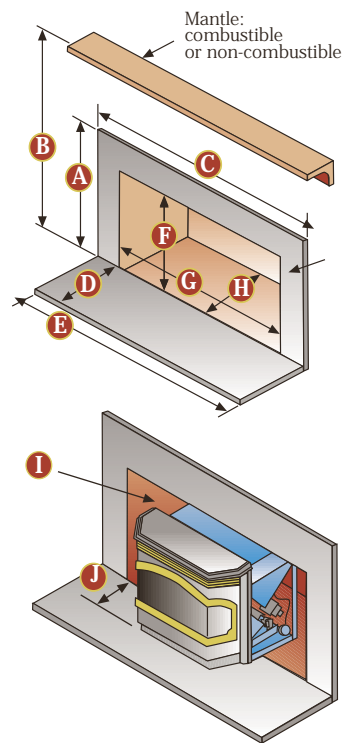
Freestanding Clearances to Unprotected Combustible Walls



Minimum Hearth Pad Size: 22 1/2" x 26 7/8" Deep.
See Installation Manual for specifications on Alcove installations.

SAFETY TESTING: Warnock Hersey to UL 1482/ULC S627/CSA B366.2/ASTM E 1509-95
This pellet fired appliance has been tested and listed for use in manufactured homes in accordance with Oregon Administrative Rules 814-23-900 through 814-23-909.

Insert Clearances to Unprotected Combustibles



Clearances To Combustibles:

- A - Min. 32" (10" from hopper lid)
- B - Min. 35" (13" from hopper lid)
- C - Min. 34 1/8" (6" from hopper lid)
- D - Min. 15 1/2" (6" from hopper lid)
- E - Min. 34 1/8" (6" from hopper lid)

Fireplace Min. Dimensions:

- F - 19 5/8"
- G - 30" (includes circuit board)
- H - 16 5/8" (includes 5" for vent)

Installation:

- I - The vent should be routed to the fireplace prior to installing the insert. See Owner's Manual for details on vent location.
- J - The insert must protrude 9 1/2" onto the hearth for the panels to fit correctly.

Panel Size:

- 8" x 10" Panels
28 7/8"H x 40 1/2"W
- 10" x 13" Panels
31 7/8"H x 44 1/2"W

Your Authorized LOPI Dealer:



Visit our WEB site at: www.lopistoves.com

©Copyright 2003 Printed in U.S.A. Lopi reserves the right to alter or improve its products at any time without notification.

#98800201