



# Yankee Bay™ Large Pellet Insert



With high efficiency and high heat output, the Yankee Bay™ pellet insert truly brings the art of fire to life. Easy to start, easy to operate and easy to maintain, the Yankee Bay pellet insert is designed for convenience.

The Yankee Bay is designed to turn your inefficient open fireplace into a true home heater (45,100 BTU/Hour). Adjust the feed rate to low and with the maximum fuel load (82 lbs.), the Yankee Bay will provide up to 52 hours of continuous heating. When using the standard wall thermostat you can achieve even longer burn times. You can operate the Yankee Bay manually or change to a fully automatic mode with the push of a button.

The Yankee Bay is one of the cleanest burning pellet stoves ever made, emitting only 0.7 grams of emission per hour. Simple controls makes the Yankee Bay the easiest pellet insert to operate and maintain. The Yankee Bay pellet insert is backed by LOPI's Seven Year Warranty

The Yankee Bay comes standard with black door, black convection grill and cast brick fireback. Further enhance your decor by upgrading with 24 karat gold or pewter door and grills and ceramic log set options.

## Options

- 24 karat gold plated door and grill □
- Pewter plated door and grill
- Remote control thermostat □□
- Large ceramic log

*The LOPI  
Yankee Bay  
pellet insert  
awarded as one  
of the top  
pellet appliances*



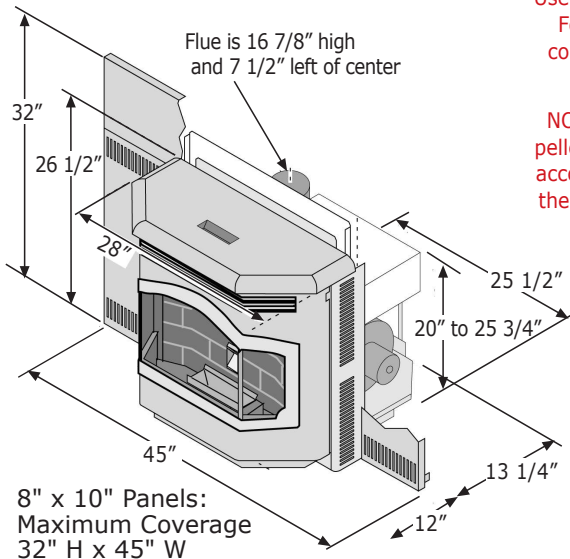
# Yankee Bay™ Large Pellet Insert

- **Easy Fuel Loading.** Insert top lifts up and locks open to allow easy access for pellet loading.
- **Adjustable Hopper.** Hopper is adjustable to accommodate fireplace height. The higher the fireplace the larger the hopper pellet capacity.
- **Heavy-Duty Auger.** Precision auger feeds pellet fuel to the firepot on the automatic or manual feed rate settings.
- **Two-Stage Heat Exchanger.** Combination of 10 heat exchange tubes and rear heat exchange plenum gains maximum heat transfer from the insert to your home.
- **Air Tube Scraper.** Concealed under the loading door, this easy-to-use, pull rod removes ash from the air exchange tubes with no mess or special tools.
- **Super-Quiet Combustion Blower.** Variable speed control allows you to turn the blower down in conjunction with the feed rate.
- **Low Profile.** Designed to fit into fireplaces only 20" tall.
- **4" Pellet Vent.** Exhaust uses conveniently low cost pellet vent.
- **Auger Motor.** A heavy-duty gear motor with metal gears, low r.p.m. and high torque, ensures long life and reliability.
- **Exhaust Vent Designed Into Hopper Corner.** Vertical vent is designed to be hooked up without requiring additional space in the rear of the fireplace.
- **Variable Speed Convection Blower.** This quiet blower draws cool room air around the firebox, and two-stage heat exchanger to deliver heated air to your home.
- **Standard Ignitor.** Reliable ignition system combine to make firestarting as easy as the flip of a switch.
- **Ash Dump.** No tools required, the ash drop makes ash clean-up in the firebox a simple mess free operation.
- **Convenient Ash Pan.** Designed for ease of removal and disposal.
- **State-of-the-Art Circuit Board Operation.** Operate your pellet insert manually or automatically with the use of a wall thermostat for the ultimate in hands free operation.
- **Wall Thermostat.** Standard with unit.
- **Seven Year Warranty.** Lifetime on stainless steel burn pot

<b>Hopper Capacity</b> Adjustable Min 48 lbs Max. 89 lbs.	<b>Heating Capacity*</b> 800 to 2,250 Sq. Ft.	<b>Burn Times</b> Depending on Hopper Capacity On Low -28 -52 Hours On High -8-16 Hours	<b>Efficiency</b> Up To 82%	<b>BTU Range</b> Low - 13,940 High - 45,100	<b>Burn Feed Rate</b> Per Hour 1.7 lbs. on Low 5.5 lbs. on High	<b>Glass Viewing Area</b> 321 Sq. In.
--	---	--	-----------------------------------	---	--	--

\*Heating capacity may vary depending on degree of home insulation, floor plan and ambient temperature zone of the area in which you live. Contact your local building or fire officials about installation requirements in your area.

## Pellet Insert Dimensions

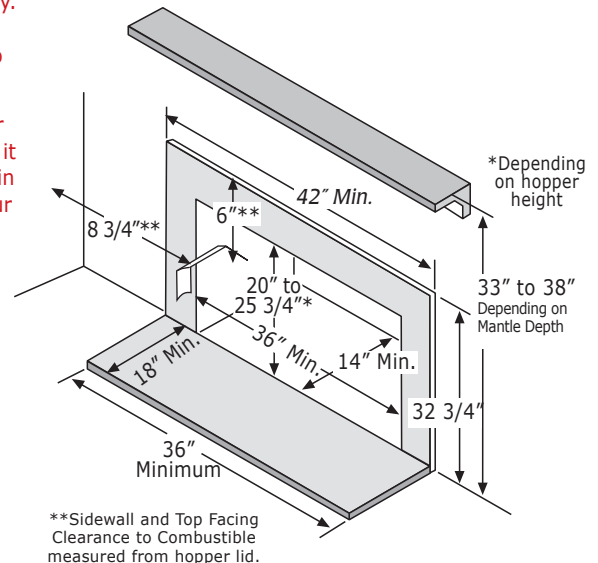


Use these illustrations as a guide only. For installation instructions please contact your Avalon Dealer or go to [www.avalonstoves.com](http://www.avalonstoves.com)

**NOTE:** Improper installation of your pellet appliance or failure to operate it according to the guidelines detailed in the Owner's Manual may negate your warranty and endanger your home and family.

Tested by OMNI-Test Laboratories, Inc to ASTM E 1509-95. This pellet fired appliance has been tested and listed for use in manufactured homes in accordance with Oregon Administrative Rules 814-23-900 through 814-23-909.

## Minimum Fireplace & Clearances



Your Authorized LOPI Dealer Is:

[www.lopi-stoves.com](http://www.lopi-stoves.com)

© 2003 T. I. LOPI reserves the right to improve our product at any time without prior notice. Photos are for aesthetic purposes only and may not reflect actual installation requirements.