

YANKEE™

LARGE CAPACITY PELLET STOVE



With high efficiency and high heat output, the LOPI Yankee pellet stove truly brings the art of fire to life. Designed to last, the Yankee pellet stove is backed by our industry leading Seven Year Warranty. Durability goes hand-in-hand with performance. The Yankee's powerful two-stage heat transfer system, 12 convection tubes and powerful convection blower will heat up to 2,250 square feet with quiet efficiency and exceptional comfort.

The Yankee's durable steel construction, stainless steel burn pot, beautifully detailed top & pedestal castings and cast iron brick fireback are enhanced by the optional 24 karat gold plated door and grill accents. A bay window provides 252 square inches of fire viewing. A state-of-the-art ignition system allows you to manually start the Yankee at the touch of a button. You can automate stove operations by using the standard wall thermostat or add the optional Modulating Remote Control which allows you the freedom to adjust both pellet feed rate and blower speed in six different settings.

The entire top of the Yankee opens for easy access to an enormous 80 pound hopper. That's enough pellet fuel for up to 47 hours of continuous heating on the low setting of heating. When operated with the standard wall thermostat the burn time is extended significantly! The Yankee's huge pedestal ashpan, you'll spend less time cleaning and more time enjoying the warmth your stove provides.



YANKEE™ By LOPI (Large Capacity Pellet Stove)

Automatic Operation

Operate your pellet stove automatically. Use the standard wall thermostat or either of the optional remote control thermostats for the ultimate in hands-free operation. You simply set the thermostat to the desired temperature and the Yankee will do the rest.

If you choose to operate your pellet stove manually, simply set the feed rate, push the start button to activate the unique auto ignitor. Within minutes your Yankee pellet stove will be in full operation.

Large Capacity Hopper

Fueling your pellet stove has never been easier. The entire top of the stove or insert lifts up to allow access to the hopper. When full, your Yankee pellet stove will provide you with up to 47 hours of continuous heating (substantially longer when operated in conjunction with the standard wall thermostat). The large 80 pound capacity of the freestanding stove also means you don't have to wait until the hopper is empty before refueling with a full 40 lbs. bag of pellets.

Easy to Access

The Yankee pellet stove is designed for easy maintenance.

- Heat transfer air tubes can be easily clean of ash build-up with the built-in Ash Rake all while the door is closed.
- The swing-out door allows quick access to the firebox for ash cleaning and occasional maintenance.
- Convenient ash clean-outs do not require tools to remove and provide easy access to all areas of the firebox for cleaning.

Huge Ash Pan

Designed as part of the pedestal on the stove, the huge Yankee ash pan makes for significantly greater time between ash removal. A simple pullout handle above the ash pan allows accumulated ashes to be removed from the firebox without opening the door.

12 Heat Transfer Air Tubes

The Yankee provides the maximum heat transfer possible with an array of 12 heat transfer tubes located above the firebox. Combined with the powerful convection fan, the Yankee is 82% heat transfer efficiency.

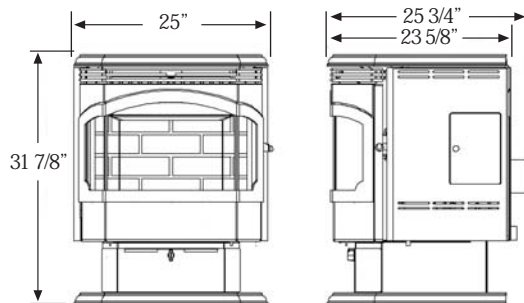
Fuel	Overall Efficiency	Heating Capacity*	BTU Range**	Hopper Capacity	Approved Installations	Flue Size
Wood Pellets	Up to 82%	800 to 2,250 Sq. Ft.	Low - 13,940 Btu's/Hr. High - 45,100 Btu's/Hr.	80 Pounds	Horizontal or Vertical Vent Terminations, Mobile Home, Alcove & Masonry Chimney Reline	4" Pellet Vent

*HEATING CAPACITY: May vary depending on the degree of home insulation, floor plan and the ambient temperature zone of the area in which you live.

**BTU range will vary with brand and size of pellets.

Yankee Dimensions

This pellet Stove must be installed in accordance to installation manual. Improper installation of your pellet appliance or failure to operate it according to the guidelines detailed in the Owner's Manual, may negate your warranty and endanger your home and family. Contact local building or fire officials about restrictions and installation requirements in your area.



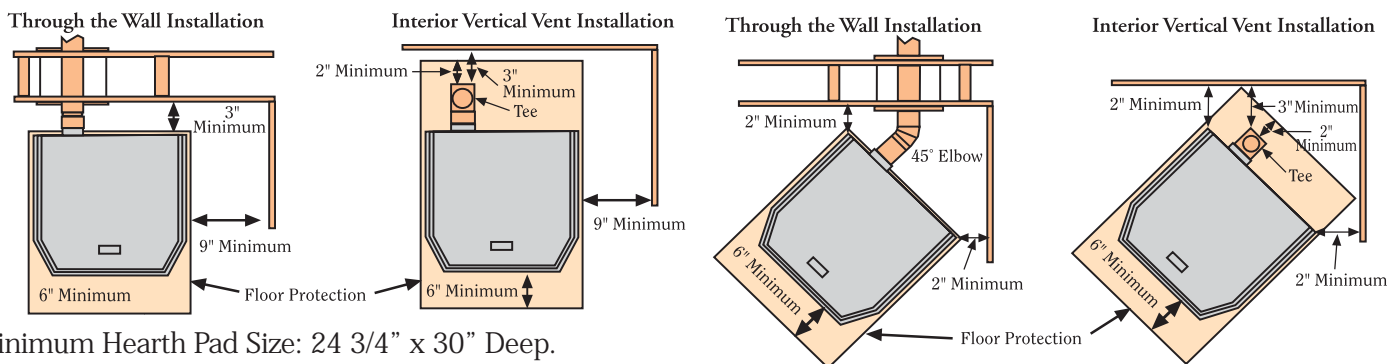
Custom Options

The Yankee Pellet Stove comes standard with Black door and black convection grill. Customize your Yankee with any of these beauty or performance enhancing options:

- 24 Karat Gold Bay Door
- 24 Karat Gold Convection Grill
- Pellet Log Set
- Remote Control Thermostat
- Modulating Remote Control

Yankee Clearances to Unprotected Combustible Walls

Stove clearances measured from stove top. Connector clearances measured from flue pipe.



Minimum Hearth Pad Size: 24 3/4" x 30" Deep.

See Installation Manual for specifications on Alcove installations.

SAFETY TESTED to UL 1482 (1994), ASTM E 1509 (1995) Administration Rules 814-23-900 (Mobile Home)

EPA Compliance: This heater is EPA exempt from Phase II requirements, but has been tested for emissions using EPA test methods by OMNI Test Laboratories.

Your Authorized LOPI Dealer Is Located At:



Visit our WEB site at: <http://www.lopistoves.com>

©Copyright 2001 Printed In U.S.A. Lopi reserves the right to alter or improve its products at any time without notification.