

INSERTS

**QUADRA-FIRE**<sup>®</sup>  
NOTHING BURNS LIKE A QUAD



THE FIRE THAT BURNS WITHIN

PELLET INSERTS



### CASTILE INSERT

Page 2



### CLASSIC BAY 1200 INSERT

Page 4



### SANTA FE INSERT

Page 6



## WARM, TROUBLE-FREE SECURITY.

Elegant and dependable, Quadra-Fire pellet inserts are trouble-free, fully automatic heating sources for any size home. Whether you prefer traditional styling or more modern design, these inserts—like all Quadra-Fire hearth products—are some of the finest home heating appliances in the world.

All Quadra-Fire inserts are approved to burn a mixture of conventional wood and corn pellets.



PELLET INSERTS





## WHAT'S YOUR PASSION?

Passion for work. Passion for life. At Quadra-Fire, our passion combines them both. Because our work is fire, and fire breathes life into all of us. Fire gives us more than simple light and heat – it touches the inner spirit. Fire fuels the energy and passion within each of us.

Our passion is found in every detail of our products - in the fine craftsmanship of the design, the high quality of the materials and the unparalleled service we offer. We put great care into our stoves, using thick steel and other materials that enhance the appearance today, and keep it looking good for many tomorrows.

Whether fueled by wood, gas, pellets, corn or electricity, each Quadra-Fire stove is a perfect balance of efficiency and beauty. Safe, reliable, and easy-to-use, an environmentally friendly Quadra-Fire is the smart choice for alternative-energy home heating.





### Convenient Loading

Slide open the cast iron top to simplify filling with pellets.



### Self Lighting & Fully Automatic

Quadra-Fire's patented automatic ignition system offers simple unattended operation. Just set the thermostat for maximum comfort. Available for all models.



### Easy Open Doors

Swing open for quick and easy cleaning.



### Optional Log Set

Add an optional four-piece log set, with or without the extra top log, for added realism.



### Five Finish Choices

Choose from Classic Black, Crème, Merlot, Linden Green and Mahogany.

## CASTILE INSERT

Intricate cast iron detailing and porcelain enamel finishes create a heating appliance as beautiful as the blazing fire within, adding traditional style and charm to any room.

### STANDARD FEATURES

- Up to 30,000 Btu/Hour Output
- Three Heat Settings
- Herringbone Brick Interior
- Thermostat Control

### OPTIONS

- Four Color Finishes
- Panel Sets with or without Cast Iron Trim
- Four-piece Log Set
- Extra Top Log
- Programmable Thermostat
- Remote Controls





## CASTILE INSERT FEATURES

Quadra-Fire's patented combustion technology keeps you warm and toasty. As efficient as it is beautiful, the Castile Insert delivers enough warmth to heat a 1,500 square foot home, while reducing emissions to an amazingly low 0.7 grams/hour.

Like all Quadra-Fire pellet products, the Castile Insert is self-lighting, fully automatic and simple to use. Just add pellets, set the thermostat and relax.

Castile Insert, in Mahogany finish, with cast iron trim. Also shown with optional log set and extra top log.



### Environmental Safety

The pellets burn thoroughly in an intense cyclone of fire that reaches 2000°F, reducing emissions to an average of less than one gram per hour. Standard on all models.



### EZ Clean Firepot

Simply pull the cleaning rod to empty the patented EZ Clean firepot. Standard on all models.



### Push Button Convenience

Add a programmable remote to control the fire from your easy chair. Available for all models.



### Gorgeous Bay View

A full bay door provides a clear view of the spirited fire within.



### Decorative Choices

Customize your stove with full view bay doors and grilles in classic black, lustrous 24-karat gold or subdued satin nickel.

# CLASSIC BAY 1200I

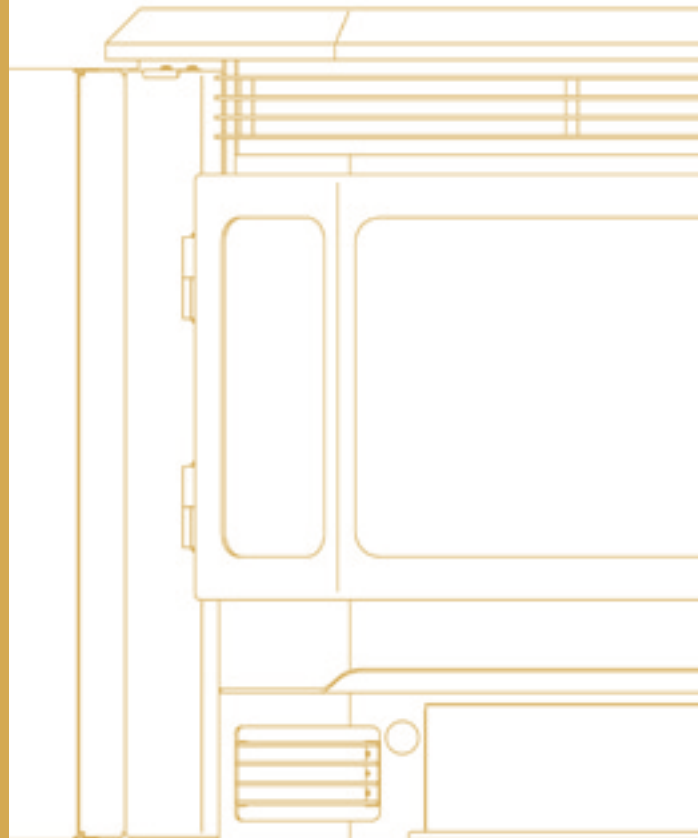
Transform your fireplace into a beautiful and efficient home heating system. One switch provides three heating settings for up to 2,500 square feet.

## STANDARD FEATURES

- Up to 40,000 Btu/Hour Output
- Three Heat Settings
- Large Bay Window
- Thermostat Control
- Adjustable Hopper Height

## OPTIONS

- Door in Black, Gold or Satin Nickel
- Grille in Black, Gold or Satin Nickel
- Three-piece Log Set
- Two Panel Sizes
- Programmable Thermostat
- Remote Controls





## CLASSIC BAY 1200I FEATURES

The large Classic Bay 1200i is more than simply a beautiful, three-sided showpiece. While the elegant full bay view door is clearly the focal point, the real stars of this stove are inside. The patented burn system, revolutionary ignition system and E-Z Clean firepot all add up to a world-class heating source that will last for years and years. Enhance the realism with an optional log set.

Classic Bay 1200i, shown with gold door, gold grille and optional log set.



### Jam-Free Operation

Patented Jam-Free Feed System ensures trouble-free operation, even when you're away from home. Standard in all models.



### Multiple Fuels

All Quadra-Fire Pellet Inserts are approved to burn corn. See your dealer for more details.



### Pull & Tip Hopper Lid

Makes adding fuel easier and cleaner.



### Optional Log Set

Add an optional four-piece log set, with or without the extra top log, for added realism.



### Decorative Choices

Customize your stove with a door crown and grille in your choice of gold, satin nickel or black nickel.

## SANTA FE INSERT

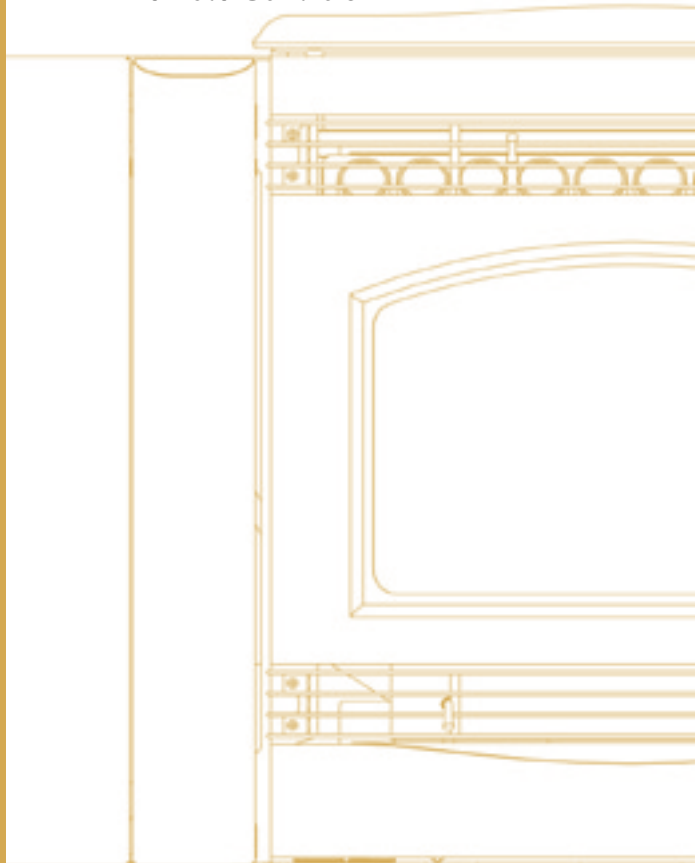
The Santa Fe Pellet Insert offers the first performance-inspired, sleek, contemporary design in a pellet insert. It's the perfect solution for busy people who enjoy the beauty of fire, but also want a clean-burning, renewable fuel heat source

### STANDARD FEATURES

- Up to 30,000 Btu Hour/Output
- Classic Black Finish
- Herringbone Brick Fireback
- Renewable Fuel—Wood or Corn
- Three Heat Settings
- Convenient *Pull & Tip* Hopper Lid

### OPTIONS

- Two Panel Sizes
- Four-piece Log Set
- Extra Top Log
- Programmable Thermostat
- Remote Controls





## SANTA FE INSERT FEATURES

This fully automatic, clean-burning insert keeps homes at the desired temperature by operating and delivering heat whenever desired. From the sweep of the ash drawer pull, to the machined door handle and the carefully crafted pull rods, every grip of the Santa Fe Insert is seamlessly blended, while maintaining superior functionality.

Santa Fe Insert, shown with gold trim door, gold grille and optional log set with optional top log.

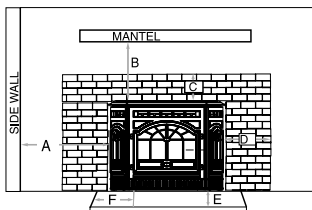
# PELLET INSERTS CLEARANCES

## MINIMUM CLEARANCES TO COMBUSTIBLES

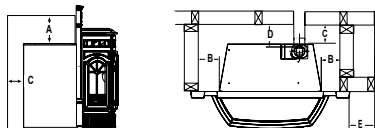
### Castile Insert



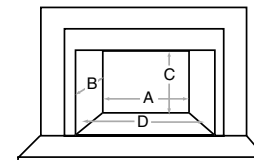
**CASTILE INSERT PANEL SIZES**  
*with Cast Iron Trim Set*  
 Standard 30" h x 42 1/2" w  
 Large 34" h x 48" w  
*Basic Panel Set with Trim*  
 Standard 30" h x 40" w



**MASONRY & ZERO CLEARANCE INSTALLATIONS**  
**A** Insert Side to Combustible ..... 0"  
**B** Insert Top to Mantel ..... 12"  
**C** Insert Top to Face Trim ..... 0"  
**D** Insert Side to Face Trim ..... 0"  
**E** Floor Protection Hearth Extension ..... 6"  
**F** Floor Protection to Side of Door ..... 6"



**BUILT-IN INSTALLATIONS**  
**A** Top of Hopper ..... 0"  
**B** Side of Outside Skin ..... 0"  
**C** Back of Hopper (top vent) ..... 2.5"  
**D** Back of Hopper (rear vent) ..... 0"  
**E** Vent Pipe to Combustible ..... 3"  
**F** From Panel Edge ..... 0"



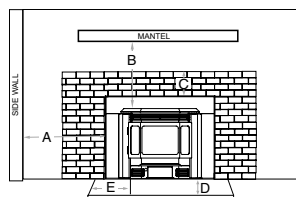
**MINIMUM FIREBOX OPENING**

	Masonry	Zero Clearance
<b>A</b>	23 7/16"	23 7/16"
<b>B</b>	14"	18"
<b>C</b>	19 1/2"	19 1/2" (drop down)
	21 1/4"	21 1/4" (flush or hearth mount)
<b>D</b>	28 1/4"	28 1/4"

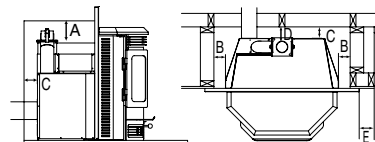
### Classic Bay 1200i



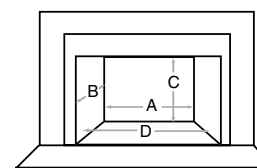
**1200i PANEL SIZES**  
 Standard 30" h x 40" w  
 Large 33" h x 50" w



**MASONRY & ZERO CLEARANCE INSTALLATIONS**  
**A** Louvers to Combustible Wall ..... 6"  
**B** Insert Top to Mantel ..... 12"  
**C** Front Facing ..... 3"  
**D** Hearth Extension - front ..... 6"  
**E** Hearth Extension - sides ..... 8"



**BUILT-IN INSTALLATIONS (using Rear Shroud)**  
**A** Top of Inside Shroud (rear vent) ..... 0"  
 Top of Inside Shroud (top vent) ..... 3"  
**B** Sides of Inside Shroud ..... 0"  
**C** Back of Inside Shroud (rear vent) ..... 0"  
 Back of Inside Shroud (top vent) ..... 2 1/2"  
**D** Vent Pipe to Combustible ..... 3"  
**E** From Panel Edge ..... 0"



**MINIMUM FIREBOX OPENING**

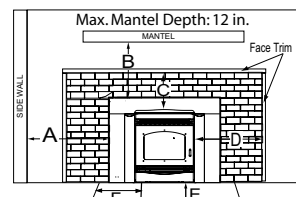
	Masonry	Zero Clearance
<b>A</b>	22"	22"
<b>B</b>	13"	15 1/2"
<b>C*</b>	19 1/2"	25 1/2" (top vent)
		22 1/2" (rear vent)
<b>D</b>	29 1/4"	29 1/4"

\*Size of floor protector must be added to this dimension. If using 811-0730, allow 1 1/2".

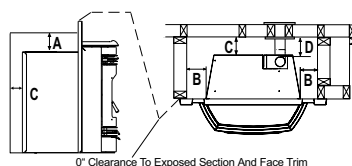
### Santa Fe Insert



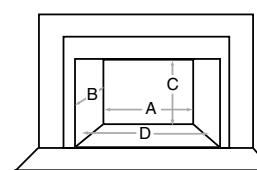
**SANTA FE INSERT PANEL SIZES**  
 Standard 30" h x 40" w  
 Large 33" h x 50" w



**MASONRY & ZERO CLEARANCE INSTALLATIONS**  
**A** Louvers to Combustible Wall ..... 16"  
**B** Insert Top to Mantel ..... 12"  
**C** Insert top to max 2.25 face trim ..... 4-3/4"  
**D** Insert side to max 2.25" face trim ..... 10"  
**E** Floor Protection Hearth Extension ..... 6"  
**F** Floor Protection to Side of Door ..... 6"



**BUILT-IN INSTALLATIONS (using Rear Shroud)**  
**A** Top of Hopper (top vent) ..... 2"  
 Top of Hopper (rear vent) ..... 2-1/2"  
**B** Side of Hopper ..... 2"  
**C** Back of Hopper ..... 2 1/2"  
**D** Vent Pipe to Combustible ..... 3"



**MINIMUM FIREBOX OPENING**


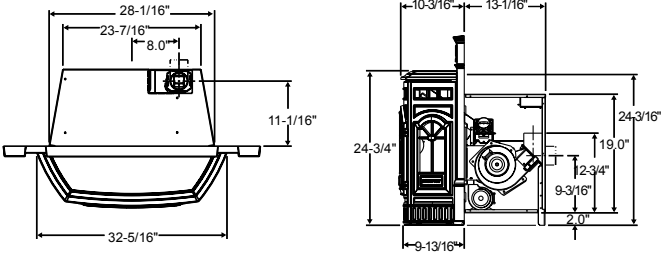

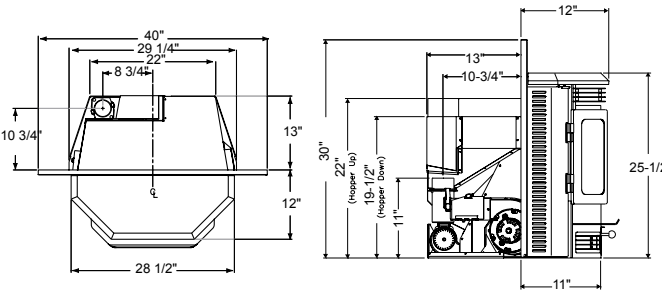

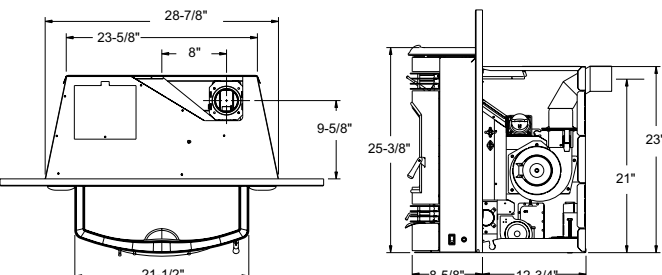
	Masonry	Zero Clearance
<b>A</b>	24"	24"
<b>B</b>	16"	16"
<b>C</b>	23-1/4"	23-1/4"
<b>D</b>	29-1/4"	29-1/4"


### IMPORTANT – READ BEFORE YOU INSTALL!

Refer to the Owner/Installation Manual for complete clearance requirements and specifications. The images and descriptions in this brochure are provided to assist you in product selection only.

# PELLET INSERTS SPECIFICATIONS

## DIMENSIONS

<p><b>Castile Insert</b></p> 		<p>Width outside fireplace..... 32 5/16"                  Width inside fireplace ..... 28 1/16"                  Height outside fireplace ..... 24 3/4"                  Height inside fireplace ..... 24 3/16"                  Depth inside fireplace..... 13 1/16"                  Weight (in lbs).....260</p>
<p><b>Classic Bay 1200i</b></p> 		<p>Width outside fireplace.....28 1/2"                  Width inside fireplace .....29 1/4"                  Height outside fireplace ..... 25 1-2"                  Height inside fireplace ..... 22"                  Depth inside fireplace..... 13"                  Weight (in lbs) ..... 243</p>
<p><b>Santa Fe Insert</b></p> 		<p>Width outside fireplace.....21 1/2"                  Width inside fireplace .....28 7/8"                  Height outside fireplace ..... 25 3/8"                  Height inside fireplace ..... 23"                  Depth inside fireplace..... 12 3/4"                  Weight (in lbs).....214</p>

	PERFORMANCE				
	<b>Heating Capacity</b> (sq. ft.) <sup>1</sup>	<b>BTU/hr**</b>	<b>Burn Rate</b> (lbs/hr)	<b>Hopper Capacity</b> (lbs)	<b>Particulate Emissions</b> (g/hr)
<b>Castile Insert</b>	up to 1,500	8,000 to 30,000	1.5 to 4	45	.7
<b>Classic Bay 1200i</b>	up to 2,500	14,000 to 40,000	2.0 to 5.5	60 to 75	.9
<b>Santa Fe Insert</b>	up to 1,500	8,000 to 30,000	1.5 to 4	45	.7

<sup>1</sup>Heating capacity (in square feet) is a guideline only and may differ slightly due to climate, building construction and condition, amount and quality of insulation, location of the heater and air movement in the room.

\* See Owner's Manual for exceptions.

\*\*BTU output will vary, depending on the brand of fuel used. For best results, consult your authorized Quadra-Fire dealer.

Zero Clearance not authorized for installation in Canada.

Available From:

Quadra-Fire offers a limited Lifetime Warranty on our pellet heating appliances to the original purchaser for the lifetime of the appliance, to be free from defects in material and workmanship. See your authorized Quadra-Fire dealer for details.



**QUADRA-FIRE**<sup>®</sup>  
NOTHING BURNS LIKE A QUAD

Visit our Website at [www.quadrafire.com](http://www.quadrafire.com)

Quadra-Fire is a registered trademark of Hearth & Home Technologies. Product specifications and pricing subject to change without notice. All Quadra-Fire pellet inserts shown are tested and listed with OMNI-Test Laboratories, Inc., of Beaverton, Oregon to ASTM E1509, ULC/ORD-C1482, ULC S610, and Room Heater Pellet Fuel Burning Type (UM) 84-HUD. Also suitable for use in mobile homes. These products are covered by US Patents Nos. 5000100 and 5582117 and other patents pending.