

Performance
Efficiency

Design

Modern
convenience meets
the classic stove



Dutchwest
Direct & Natural Vent
Gas Stoves

EST. 1974
DUTCHWEST
BY VERMONT CASTINGS

Function

Value

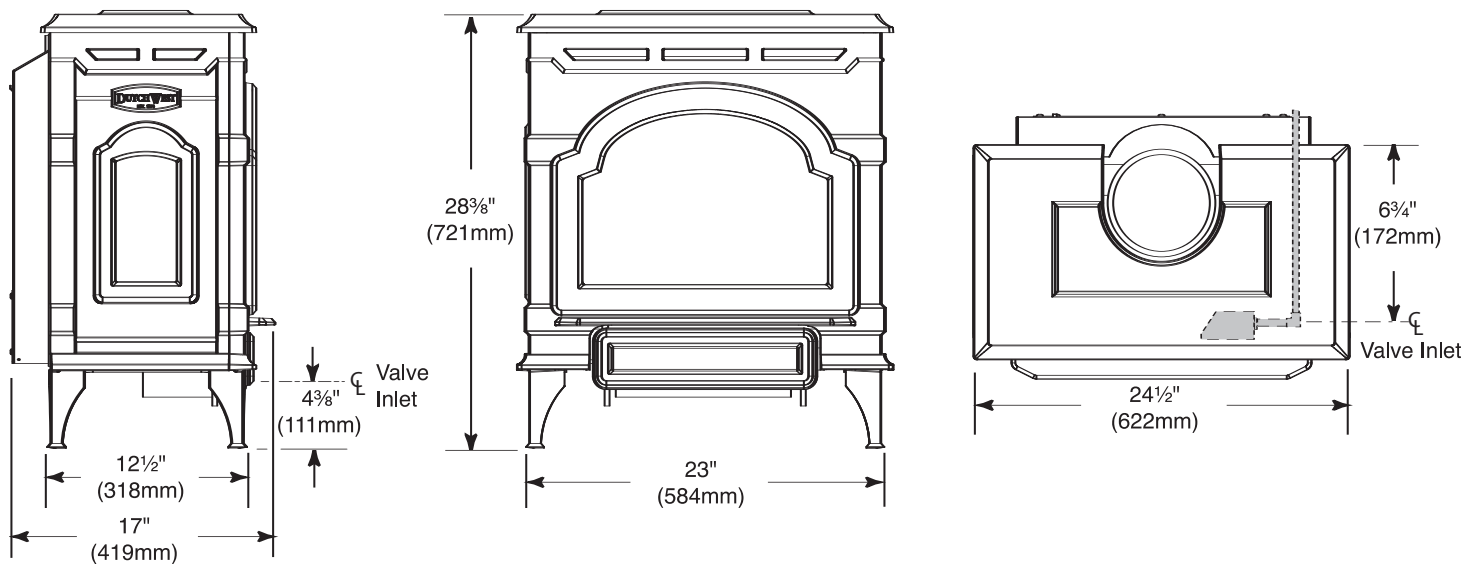
Heart of your home



The Perfect Addition to Any Room

Available in direct or natural vent, this beautiful stove combines the elegance of a woodburning stove with the convenience of gas. The solid cast iron construction features our radiant ceramic burner system with a large glass viewing area allowing maximum viewing pleasure. It will add new warmth to any room in your home.

Dutchwest Gas Stove Models • 2465 (Direct Vent) • 2467 (Natural Vent)



Features and Benefits

Exclusive Dutchwest Advantages:

- Large glass front flame viewing area
- All cast iron construction (firebox and shell)
- Insta-Flame Radiant Ceramic burner system provides vibrant flames and a glowing ember bed
- Stove shipped as natural gas; LP Conversion kit included

Standard Features:

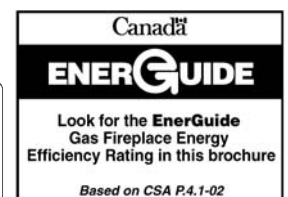
- Classic black finish
- BTU's: 28,000 high to 21,000 low
- Room heater rated – 81% efficiency
- Ceramic glass front
- Realistic 'split oak' ceramic fiber log set
- Discreet access door to regulate gas control system
- Weight: 238 lbs

Optional Accessories:

- FK26 fan
- Wall mounted thermostat
- Remote controls RC1 or RC2

Specifications:

- EnerGuide efficiency rating: 61.3%
- Steady state efficiency rating: 81% LP & NG
- AFUE by D.O.E. efficiency: 70% LP/70.9% NG



YOUR DEALER

© 2006 CFM Corporation - All rights reserved. Dutchwest by Vermont Castings™ is a registered trademark of CFM Corporation. In the interest of constant product improvements, we reserve the right to change specifications without notice. Before installations, please read Installation Instructions and check all local Building Codes and Gas Regulations. Please see your Dealer or visit www.vermontcastings.com for complete warranty information.

FC030 - 1000-9114



CFM Corporation
2695 Meadowvale Blvd.
Mississauga, Ontario
Canada, L5N 8A3

ph: 1.800.525.1898

www.vermontcastings.com
www.majesticproducts.com