



**CAST IRON**  
Direct and Natural Vent Gas Stoves



Warm your heart for  
years to come.



Radiance in Bordeaux

## Direct & Natural Vent Gas Stoves



Add Vermont Castings® beauty and quality to your home

Here are three gorgeous designs to fit any décor in your home. All built with cast-iron strength, and all built to perform the way every Vermont Castings Stove performs...perfectly.

Introducing *FireCast* "FireCast" burner delivers "Top in Class" dancing flame and intense radiant glow

### Vermont Castings Quality

#### THE FINEST FEATURES

The impeccably smooth finish of each Vermont Castings Gas Stove is a credit to the sophisticated manufacturing process unique to Vermont Castings. As the only manufacturer in North America with both the foundry and enameling under one roof, we can assure that the casting and enameling are of the utmost quality.

Here are just a few of the items you won't find on competitive models:

- Leg levelers on the Radiance, Stardance and Intrepid DV, so the stove won't wobble on an uneven hearth;
- Optional warming shelves with metal "mitten drying" racks;
- Matching porcelain enamel pipe for natural vent applications and matching paint for the vent pipe shipped with direct vent models.

#### ULTIMATE COMFORT

The Comfort Control System modulates the fan and flame together controlled by a hand held remote control. All powered by the tiny pilot flame, the Comfort Control System requires no electricity to operate. Found on direct vent versions of the Radiance and Stardance.

- All-in-one valve construction – no additional fan required
- Six level modulating flame and fan
- Thermostat governs flame and fan together for maximum comfort
- Timer will shut off fire at a later time, so you can go to bed without worrying



Radiance in Biscuit

## RADIANCE

### Standard Features

- Durable cast iron firebox with brick refractory pattern
- Direct vent and natural vent models available
- "FireCast" Ceramic burner on DV models
- BTUs: Up to 35,000 LP & NG
- Natural gas models include LP conversion kit
- Standing pilot ignition, requires no electricity
- Can be vented through-the-wall or through-the-roof on direct vent models
- Operable front doors
- Insta-Flame Ceramic Burner on Natural Vent models

### Optional Features

- Vermont Castings Comfort Control System on RFN direct vent models (complete with hand held remote and fan system)
- Thermostat or remote control on RN models
- Warming Shelves
- Variable speed, heat activated fan for RN models
- Matching 6" enamel chimney connector for natural vent models
- Natural vent flue adaptor
- Screen front
- Available in: Classic Black, Porcelain Enamel colors of Bordeaux, Chestnut Brown, Midnight Blue, Biscuit, Ebony Black, Vermont Classic Green; plus four special order colors, Granite Gray, Sage Green, Country Gray and Brick Blue



Stardance in Midnight Blue

## STARDANCE

### Standard Features

- All cast iron pre-assembled construction; ceramic glass front
- Direct vent (top & rear vent) and natural vent models available
- "FireCast" Ceramic burner on DV models
- Insta-Flame Ceramic Burner on Natural Vent models
- BTUs: Up to 28,000
- Natural gas models include LP conversion kit
- Standing pilot ignition, requires no electricity
- Can be vented through-the wall or through-the-roof on direct vent models
- Operable front doors

### Optional Features

- Vermont Castings Comfort Control System on RFN Direct Vent models (complete with hand held remote and fan system)
- Variable speed, heat activated fan for RN models
- Thermostat or remote control for RN models
- Matching 6" enamel chimney connector for natural vent models
- Natural vent flue adaptor
- Warming Shelves
- Screen front for use with operable front doors
- Available in: Classic Black, Porcelain Enamel colors of Bordeaux, Chestnut Brown, Midnight Blue, Biscuit, Ebony Black, Vermont Classic Green; plus four special order colors, Granite Gray, Sage Green, Country Gray and Brick Blue



Intrepid DV in Granite Gray

## INTREPID DV

### Standard Features

- "FireCast" Ceramic Burner
- Operable doors with optional fire screen mimic our Vermont Casting wood stoves
- Max 18,500 BTUs, Low 12,500 BTUs
- 80% efficiency
- Low clearances, 18" center rear exhaust
- Durable cast iron firebox with brick refractory pattern
- Adjustable Air Shutter, LP conversion included

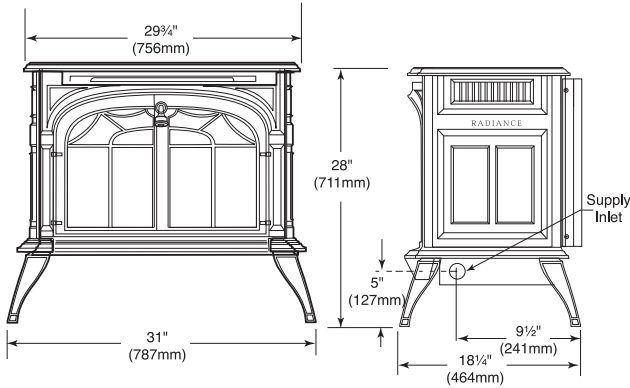
### Optional Features

- Vermont Castings Comfort Control System
- Remote controls and thermostats; fire screen, fan kit
- Decorative warming shelves add to the authentic heritage
- Available in: Classic Black, Porcelain Enamel colors of Bordeaux, Chestnut Brown, Midnight Blue, Biscuit, Ebony Black, Vermont Classic Green; plus four special order colors, Granite Gray, Sage Green, Country Gray and Brick Blue

Cast Iron Direct and Natural Vent Gas Stoves  
 Models • Radiance • Stardance • Intrepid DV



**Radiance Gas Stoves**



**Specifications:**

BTU Input High: 38,000 NG/36,000 LP  
 BTU Input Low: 25,000 NG/LP  
 Steady State Efficiency Rating: 82%\*\*  
 AFUE by D.O.E. Efficiency: 72%\*\*  
 EnerGuide Ratings Fireplace Efficiency: 66%\*\*  
 Weight: 350 lbs. / Shp. 375 lbs.

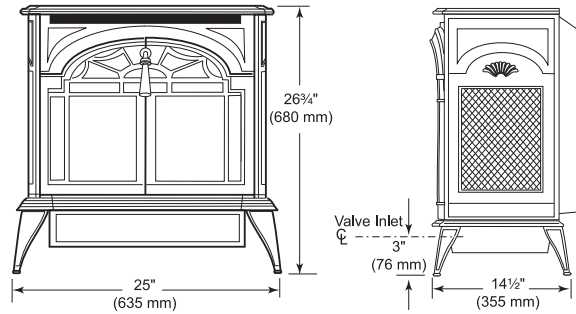
**Dimensions:**

Height: 28"  
 Width: 31"  
 Depth: 18 1/4"

**Clearances:**

Back: 4"  
 Sides: 6"

**Stardance Gas Stoves**



**Specifications:**

BTU Input High: 28,000  
 BTU Input Low: 21,500 LP/19,000 NG  
 Steady State Efficiency Rating: 81%\*\*  
 AFUE by D.O.E. Efficiency: 71%\*\*  
 EnerGuide Ratings Fireplace Efficiency: 66%\*\*  
 Weight: 200 lbs.

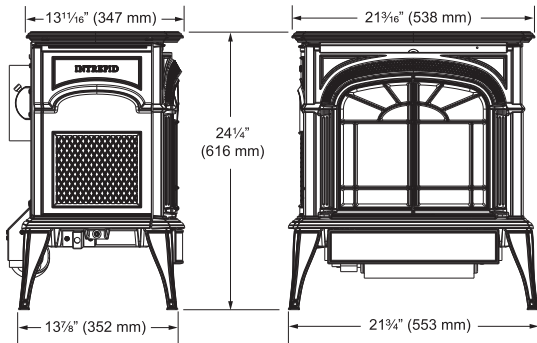
**Dimensions:**

Height: 26 3/4"  
 Width: 25"  
 Depth: 14 1/2"

**Clearances:**

Back: 4"  
 Sides: 4"

**Intrepid DV Gas Stoves**



**Specifications:**

BTU Input High: 18,500 LP & NG  
 BTU Input Low: 12,500 LP/NG  
 Steady State Efficiency Rating: 80%\*\*  
 AFUE by D.O.E. Efficiency: 71%\*\*  
 EnerGuide Ratings Fireplace Efficiency: 68.0%\*\*  
 Weight: 185 lbs.

**Dimensions:**

Height: 24 1/4"  
 Width: 21 3/4"  
 Depth: 13 7/8"

**Clearances:**

Back: 4"\*\*\*  
 Sides: 4"\*\*\*

\*Efficiency Rates based on steady state testing, with fan on. Fans are optional on certain stoves.  
 \*\*Preliminary - certification pending at time of printing.



ph: 1.800.525.1898  
 www.vermontcastings.com  
 www.majesticproducts.com

YOUR DEALER

